

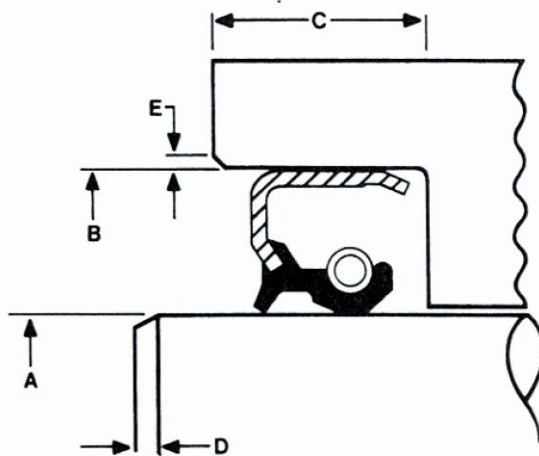
Application Data Sheet

Colonial Seal Company
 1114 Crown Point Road
 Westville, New Jersey 08093
 www.colonialseal.com



**COLONIAL
SEAL COMPANY**

TEL: (800) 564-2201
 Fax: (856) 845-0660
 e-mail: sales@colonialseal.com



Customer & Division:	
Address:	
City/State/Zip:	
Contact:	
Telephone: ()	
Customer P/N:	
Type of Equipment:	
Application:	
<input type="checkbox"/> OEM	Date Required:
<input type="checkbox"/> Aftermarket	
Annual Usage:	Peak Month Usage:

A. Shaft Diameter:	B. Bore Diameter:
C. Seal Width:	D. Shaft Chamfer & Angle:
E. Bore Chamfer & Angle:	

SHAFT	<input type="checkbox"/> Horizontal	Material:	Finish:	Hardness:
	<input type="checkbox"/> Vertical			

MOTION	<input type="checkbox"/> Rotating	RPM Normal: Max:	Direction From Air Side <input type="checkbox"/> Clockwise <input type="checkbox"/> Counter-Clockwise <input type="checkbox"/> Bi-Rotational
	Shaft Runout, TIR		Misalignment:
	<input type="checkbox"/> Reciprocating	Stroke Length:	Cycles/Min.:
	<input type="checkbox"/> Oscillating	Degrees of Arc:	Cycles/Min.:
FLUID	Internal:	Type:	Level: <input type="checkbox"/> Dry <input type="checkbox"/> Mist <input type="checkbox"/> Flooded
	External:	Type:	
TEMP.	<input type="checkbox"/> °C	Minimum:	Normal: Maximum:
	<input type="checkbox"/> °F		
PRESSURE	Normal PSI:	Maximum PSI:	Does it need to meet any of these standards? FDA 3A PharmaVI NSF REACH RoHS EU
BEARING	<input type="checkbox"/> Ball of Roller Bearing	<input type="checkbox"/> Bushing	Special Operating Condition: