

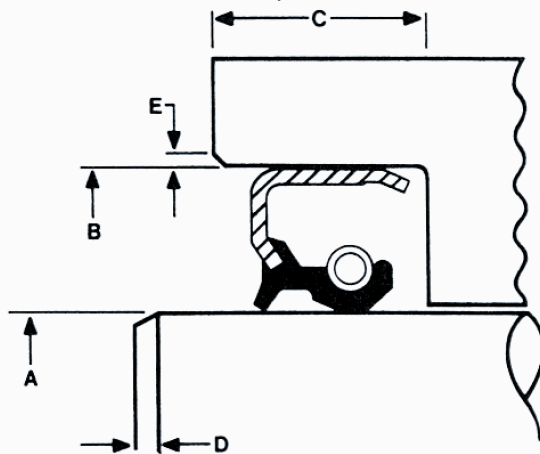
Application Data Sheet

Colonial Seal Company
 1114 Crown Point Road
 Westville, New Jersey 08093
 www.colonialseal.com



TEL: (800) 564-2201
 Fax: (800) 564-2204
 e-mail: sales@colonialseal.com

Customer & Division:	
Address:	
City/State/Zip:	
Contact:	
Telephone: ()	
Customer P/N:	
Type of Equipment:	
Application:	
<input type="checkbox"/> OEM	Date Required:
<input type="checkbox"/> Aftermarket	
Annual Usage:	Peak Month Usage:



A. Shaft Diameter:	B. Bore Diameter:
C. Seal Width:	D. Shaft Chamfer & Angle:
E. Bore Chamfer & Angle:	

SHAFT	<input type="checkbox"/> Horizontal	Material:	Finish:	Hardness:
	<input type="checkbox"/> Vertical			

MOTION	<input type="checkbox"/> Rotating	RPM Normal: Max:	Direction From Air Side <input type="checkbox"/> Clockwise <input type="checkbox"/> Counter-Clockwise <input type="checkbox"/> Bi-Rotational		
	Shaft Runout, TIR		Misalignment:	Frequency of Rotation: <input type="checkbox"/> Continuous <input type="checkbox"/> Intermittent	
	<input type="checkbox"/> Reciprocating		Stroke Length:	Cycles/Min.:	
	<input type="checkbox"/> Oscillating	Degrees of Arc:	Cycles/Min.:		
FLUID	Internal:	Type:	Level: <input type="checkbox"/> Dry <input type="checkbox"/> Mist <input type="checkbox"/> Flooded		
	External:	Type:			
TEMP.	<input type="checkbox"/> °C <input type="checkbox"/> °F	Minimum:	Normal:	Maximum:	
PRESSURE	Normal PSI:	Maximum PSI:			
BEARING	<input type="checkbox"/> Ball or Roller Bearing	<input type="checkbox"/> Bushing			
			Special Operating Condition:		